



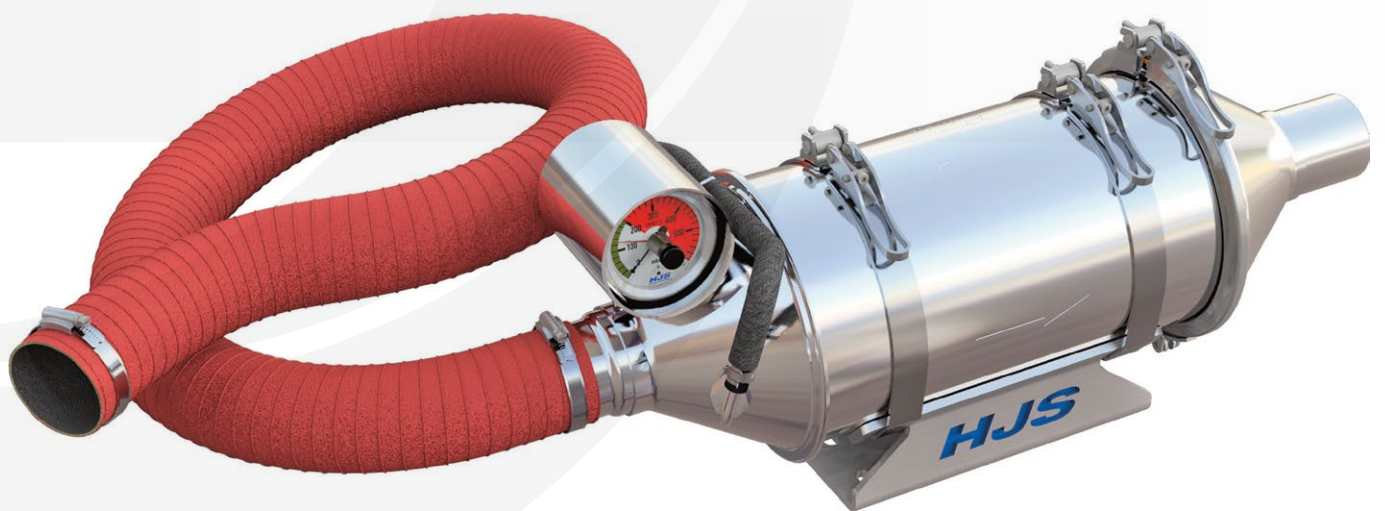
**CYBRAND**  
AEC LIMITED

# SMF<sup>®</sup>-ER 'RETROFIT'

Diesel Particulate Filters for Plant & Machinery



The low-cost solution for diesel engines operating in low emission zones or emission-sensitive areas



**HJS**  
Emission Technology

## PRODUCT OVERVIEW

The SMF<sup>®</sup>-ER Diesel Particulate Filter is designed to eliminate over 99% the hazardous particulate fumes from diesel plant and machinery operating in emission-sensitive areas.

It is fully compliant with the Energy Saving Trust / CVRAS retrofit scheme and is the ideal solution for engines with lower exhaust temperatures, or for short term or temporary use.

The filter assembly has an advanced, modular construction which allows the patented sintered-metal filter element to be easily removed, and cleaned with a pressure washer and water.

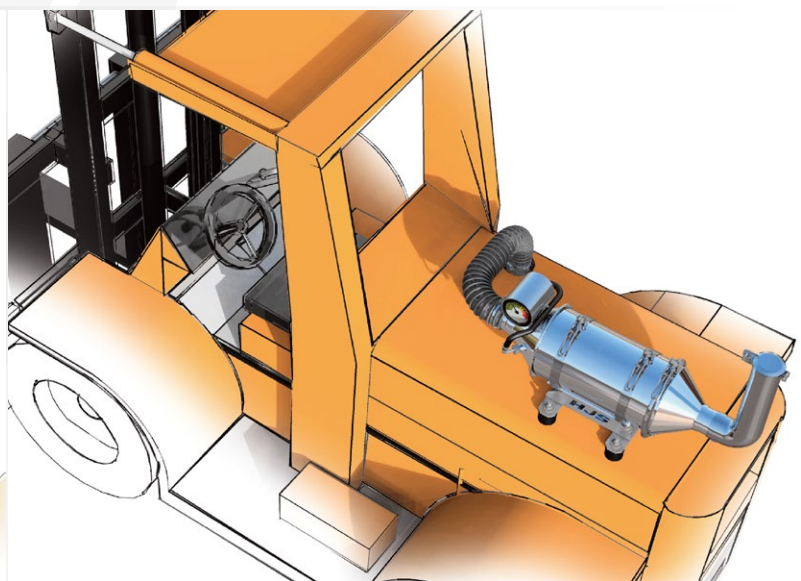
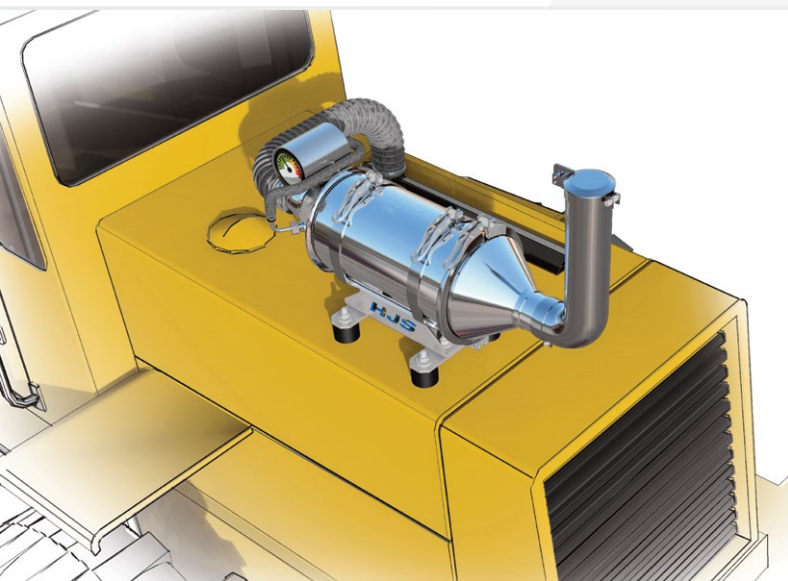
- Available to hire or buy
- Fully certified by Energy Saving Trust & VERT
- High soot storage capacity
- > 99% PM10 filtration efficiency for Tier 3b compliance
- Minimal operating & ownership costs
- Adaptable to most mobile and static diesel plant & machinery
- Easy cleaning with a pressure washer & water
- No throw-away paper elements or plug-in regeneration

## TYPICAL APPLICATIONS

**SMALL** - Mini Excavators, Cherry Pickers, Forklift Trucks

**MEDIUM** - Compressors, Telehandlers, Excavators, Mini Cranes

**LARGE** - Generators, Earth Movers, Drilling Rigs, Mobile Cranes



# TYPICAL FILTER LAYOUT

Stainless Steel  
Modular Construction



Quick Release Clamps  
Simple Filter Removal

## EASY CLEANING WITH A PRESSURE WASHER & WATER





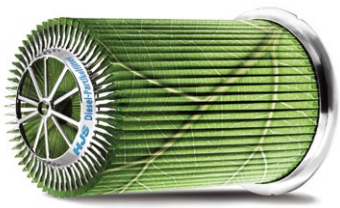
- Hire from just one week
- Competitive rates available

[hiredesk@cybrand.co.uk](mailto:hiredesk@cybrand.co.uk)



- Purchase outright
- Install permanently or switch between machines

[sales@cybrand.co.uk](mailto:sales@cybrand.co.uk)



## OUR SERVICES:

- Diesel Particulate Filter sales for Plant, Machinery & Road applications
- Diesel Particulate Filter Hire
- Mobile Installation Services
- DPF Cleaning & Maintenance
- Remote Emissions Monitoring Systems
- Industrial Silencers for Diesel Engines, Pumps & Compressors

We are experienced in the field of retrofit emission reduction technologies for diesel engine applications working in Low Emission Zones, Clean Air Zones and other restricted or emission sensitive areas.

## CYBRAND AEC LTD

B90, Thornton Science Park | Pool Lane | Chester | CH2 4NU

## INFO HOTLINE:

**01244 567100**

